

PRO-EJ ARCHITECTURAL SHOP DRAWING

Date: _____

Page: _____ of _____

Drawing No.: _____

Architect/ Engineer: _____

Contractor: _____

Customer: _____

Number of Operators: _____

Horsepower: _____

Volts: _____

Phase: _____

Hertz: _____

Type of Door: _____

Door Width/ Height: _____ W x _____ H

Operator Nema Rating: _____

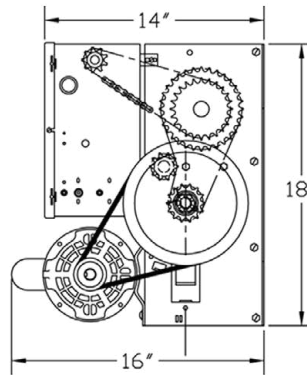
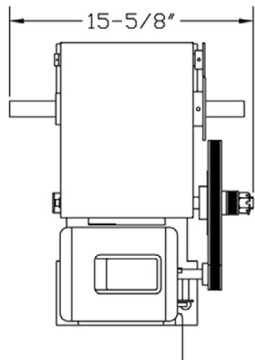
OPEN/ CLOSE/ STOP Control Stations: _____

FULL LOAD AMP RATING CHART (AMPS)

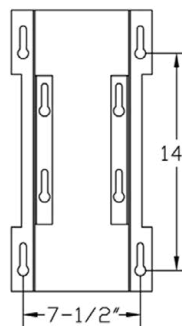
| VOLTAGE | 1/3 HP | 1/2 HP |
|---------------------|--------|--------|
| 115V 1-Φ, 60 HZ | 7.9 | 8.5 |
| 230V 1-Φ, 60 HZ | 3.9 | 4.2 |
| 230V 1-Φ, 50 HZ | 3.1 | 3.1 |
| 208/230V 3-Φ, 60 HZ | 2.1 | 2.1 |
| 380V 3-Φ, 50 HZ | 1.1 | 1.1 |
| 460V 3-Φ, 60 HZ | 1.1 | 1.1 |
| 575V 3-Φ, 60 HZ | 1.0 | 1.0 |

Control Wiring Option: _____

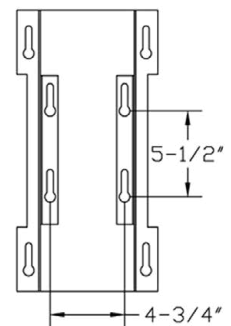
- A** Relay Logic w/ interface module (monitored reversing device supplied)
- B** Relay Logic (not available in US or other areas where UL325 is mandated)



WALL MOUNT



BRACKET MOUNT



ADDITIONAL EQUIPMENT OR OPTIONS
