

# PRO-LJ ARCHITECTURAL SHOP DRAWING

Date: \_\_\_\_\_

Page: \_\_\_\_\_ of \_\_\_\_\_

Drawing No.: \_\_\_\_\_

Architect/ Engineer: \_\_\_\_\_

Contractor: \_\_\_\_\_

Customer: \_\_\_\_\_

## FULL LOAD AMP RATING CHART (AMPS)

VOLTAGE	1/2 HP
110V 1-Φ, 60 HZ	6.0
230V 1-Φ, 60 HZ	3.0
230V 1-Φ, 50 HZ	3.2
380V 1-Φ, 50 HZ	2.0

Number of Operators: \_\_\_\_\_

Horsepower: \_\_\_\_\_

Volts: \_\_\_\_\_

Phase: \_\_\_\_\_

Hertz: \_\_\_\_\_

Type of Door: \_\_\_\_\_

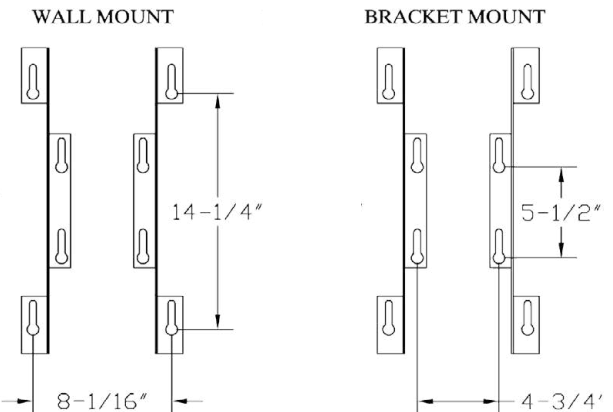
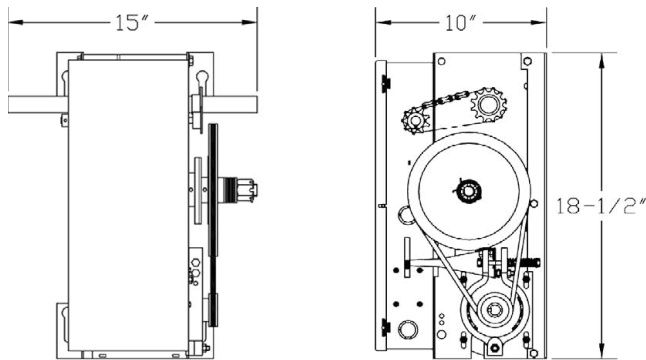
Door Width/ Height: \_\_\_\_\_ W x \_\_\_\_\_ H

Operator Nema Rating: \_\_\_\_\_

OPEN/ CLOSE/ STOP Control Stations: \_\_\_\_\_

Control Wiring Option: \_\_\_\_\_

- A** Relay Logic w/ interface module (monitored reversing device supplied)
- B** Relay Logic (not available in US or other areas where UL325 is mandated)



## ADDITIONAL EQUIPMENT OR OPTIONS

---



---



---