

# PRO-LT ARCHITECTURAL SHOP DRAWING

Date: \_\_\_\_\_  
 Page: \_\_\_\_\_ of \_\_\_\_\_  
 Drawing No.: \_\_\_\_\_  
 Architect/ Engineer: \_\_\_\_\_  
 Contractor: \_\_\_\_\_  
 Customer: \_\_\_\_\_

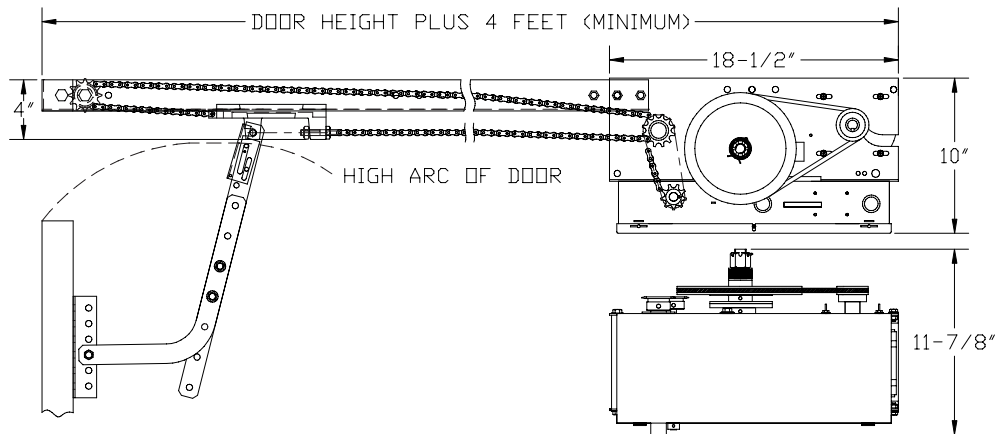
FULL LOAD AMP RATING CHART (AMPS)

| VOLTAGE         | 1/2 HP |
|-----------------|--------|
| 110V 1-Φ, 60 HZ | 6.0    |
| 230V 1-Φ, 60 HZ | 3.0    |
| 230V 1-Φ, 50 HZ | 3.2    |
| 380V 1-Φ, 50 HZ | 2.0    |

Number of Operators: \_\_\_\_\_  
 Horsepower: \_\_\_\_\_  
 Volts: \_\_\_\_\_  
 Phase: \_\_\_\_\_  
 Hertz: \_\_\_\_\_  
 Type of Door: \_\_\_\_\_  
 Door Width/ Height: \_\_\_\_\_ W x \_\_\_\_\_ H  
 Operator Nema Rating: \_\_\_\_\_  
 OPEN/ CLOSE/ STOP Control Stations: \_\_\_\_\_

Control Wiring Option: \_\_\_\_\_

- A** Relay Logic w/ interface module (monitored reversing device supplied)
- B** Relay Logic (not available in US or other areas where UL325 is mandated)



ADDITIONAL EQUIPMENT OR OPTIONS

---



---



---