

# PRO-EJ

## COMMERCIAL / INDUSTRIAL CONTINUOUS DUTY BELT DRIVE JACKSHAFT COMPLETE WITH LOAD SENSING AND EMERGENCY EGRESS CAPABILITY

Designed for use on commercial / industrial sectional doors with high or vertical lift track and small rolling grilles

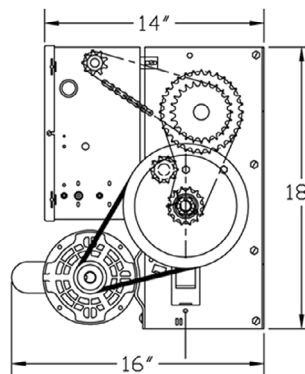
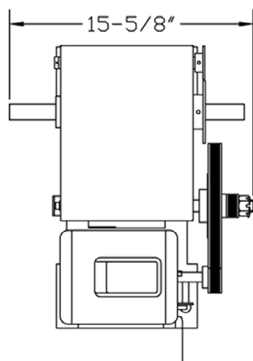
### STANDARD FEATURES

- **2 year Warranty**
- External radio control terminal strip
- Low friction powder metal limit cam nuts with fully adjustable rotary type limit switch assembly
- Three button open-close-stop control station Nema-1
- Continuous duty industrial motor with overload protection
- Motor removable without affecting limit settings
- Heavy duty 5L V-belt
- #41 roller chain & sprockets on all internal drives
- Adjustable friction clutch
- Mechanical brake system
- Solenoid brake (optional PRO EJMB) recommended for large doors/ grilles
- #50 roller chain and sprockets on final drive
- 3/4" permanently lubricated & sealed precision ball bearings on pulley shaft
- 1" permanently lubricated & sealed ball bearings on final drive shaft
- Emergency disconnect with electrical cut-out switch for manual operation
- Internal load sensing feature that will detect a locked or jammed door and stop unit from operation
- Provides for egress to allow for opening of a grill by manual operation or spring tension (optional egress device)
- Left or right hand mounting
- Baked on dark grey coat finish
- Shipping weight 95 lbs
- N-1 photocells included for doors up to 24' wide

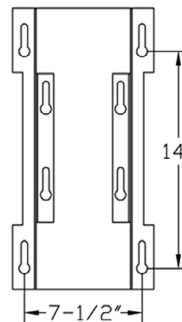


**When ordering a PRO-EJ operator, supply Nice with the following information:**

- Door height
- Door width
- Type of door
- Voltage/ Phase
- Safety devices
- Door shaft diameter & door shaft key size
- Mounting (LH or RH, Bracket or Wall mount)
- Control circuit options (see page 5-6)



WALL MOUNT



BRACKET MOUNT

